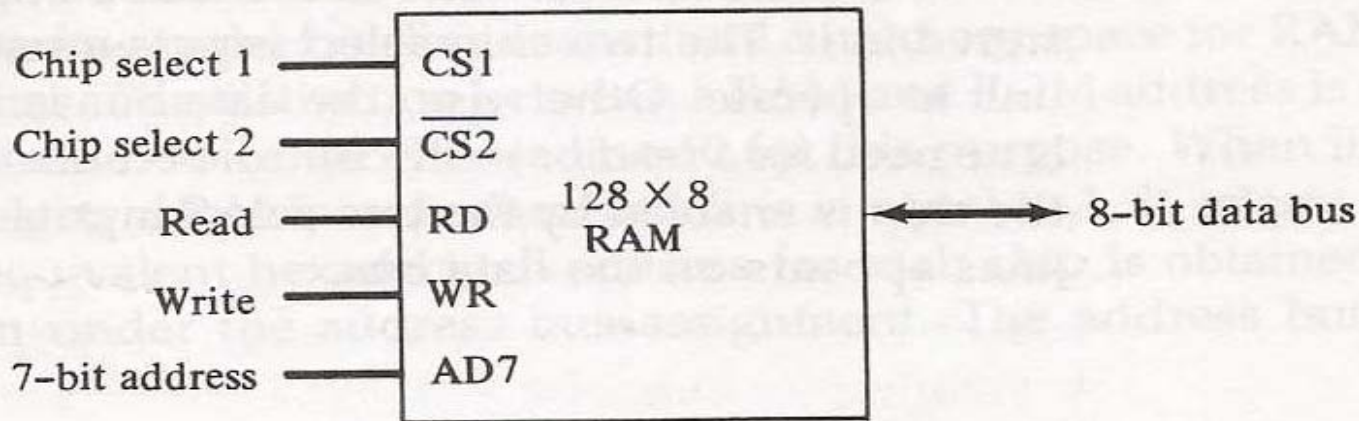


block diagram and function table of ram

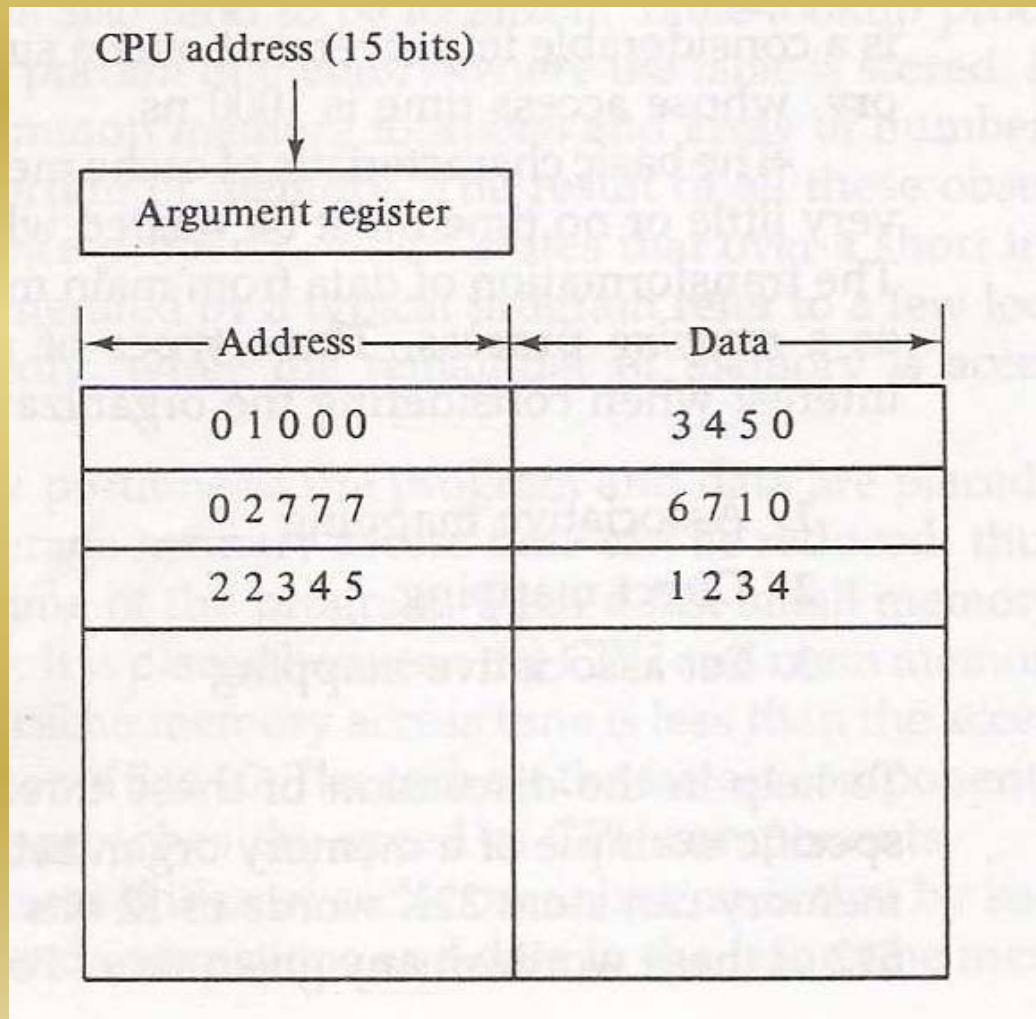


(a) Block diagram

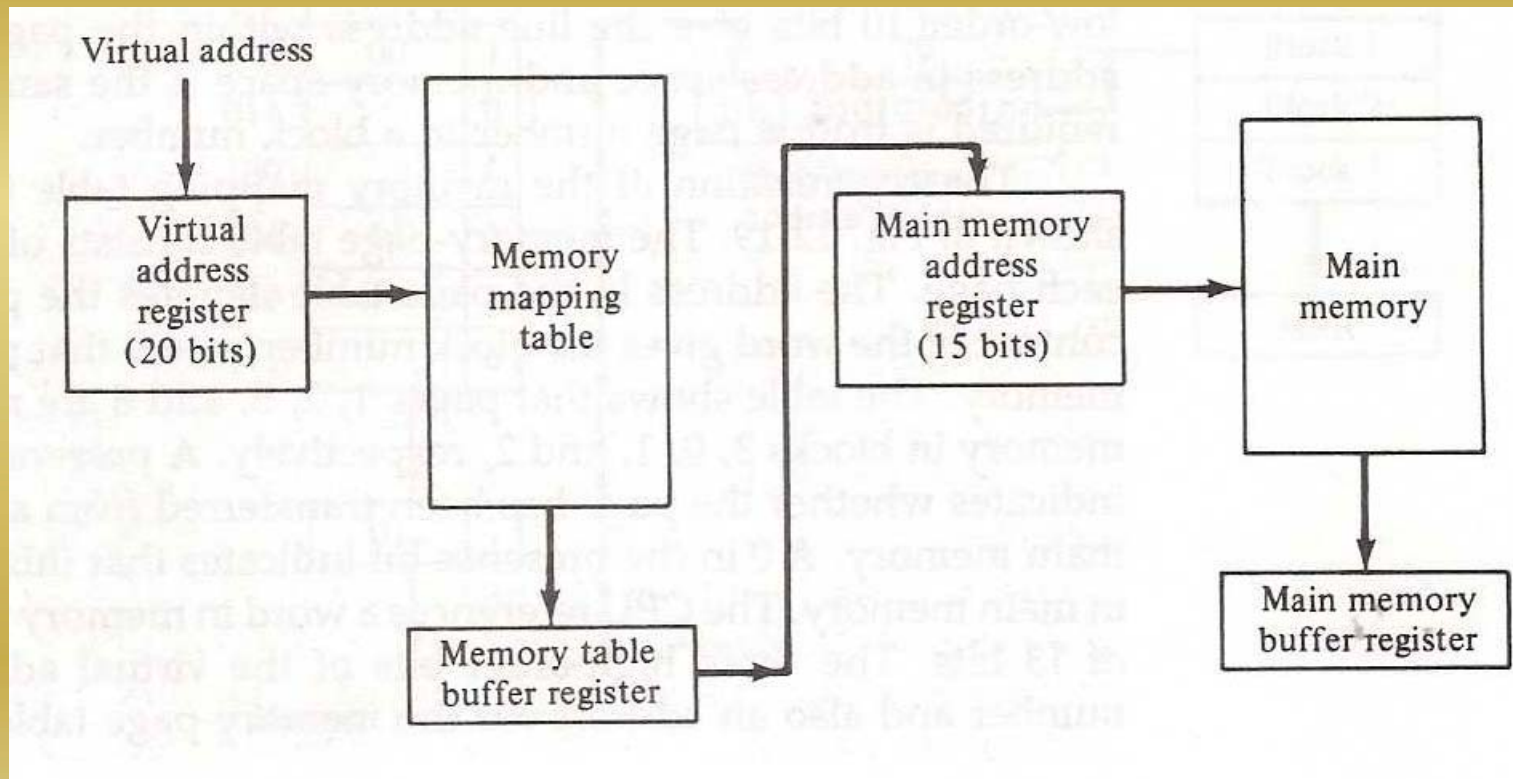
CS1	$\overline{CS2}$	RD	WR	Memory function	State of data bus
0	0	×	×	Inhibit	High-impedance
0	1	×	×	Inhibit	High-impedance
1	0	0	0	Inhibit	High-impedance
1	0	0	1	Write	Input data to RAM
1	0	1	×	Read	Output data from RAM
1	1	×	×	Inhibit	High-impedance

(b) Function table

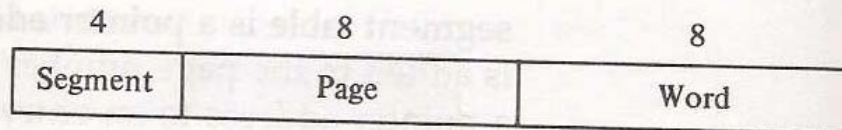
ASSOCIATIVE MAPPING CACHE



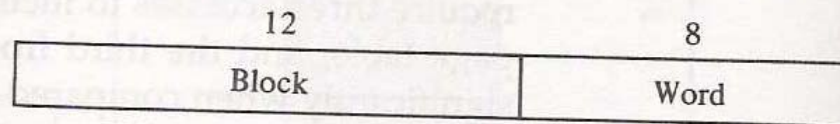
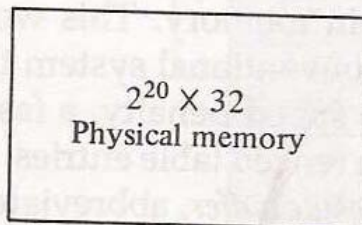
Memory table for mapping a virtual address



Example of logical and physical addresses



(a) Logical address format: 16 segments of 256 pages each, each page has 256 words



(b) Physical address format: 4096 blocks of 256 words each, each word has 32 bits

